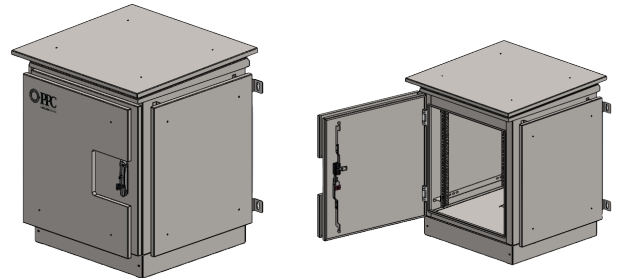


Outdoor Cabinet with Sunshield IP65/IP66



Features & Benefits

- IP65 or IP66 Variants
- Made of 1.5mm Thickness GI Sheet Metal
- 3 Point Locking System with Zinc die cast swing handle
- Automotive grade EPDM Sealing for the door
- Removable gland plate with PU sealing
- Standard 19" Mounting for equipments



Overview

PPC offers this fully enclosed IP66 or IP65 Outdoor Rack Enclosures with the features you need to satisfy your demanding outdoor racking requirements including robust 3 point locking options , tilt roof, sun shields (top, front and sides) to facilitate airflow to reduce temperature inside the rack

These durable enclosures are wall mountable or installable on a plinth, The enclosure body and sun shields are available in the materials Galvanized Iron (GI) most suitable for outdoor conditions. The enclosures feature a three-point locking mechanism with zinc alloy die cast swing handle to support IP65 and IP66 ingress protection

Application

- Outdoor Networking
- Mining
- Railways
- Industrial
- FTTH
- CCTV and Surveillance

Technical Data

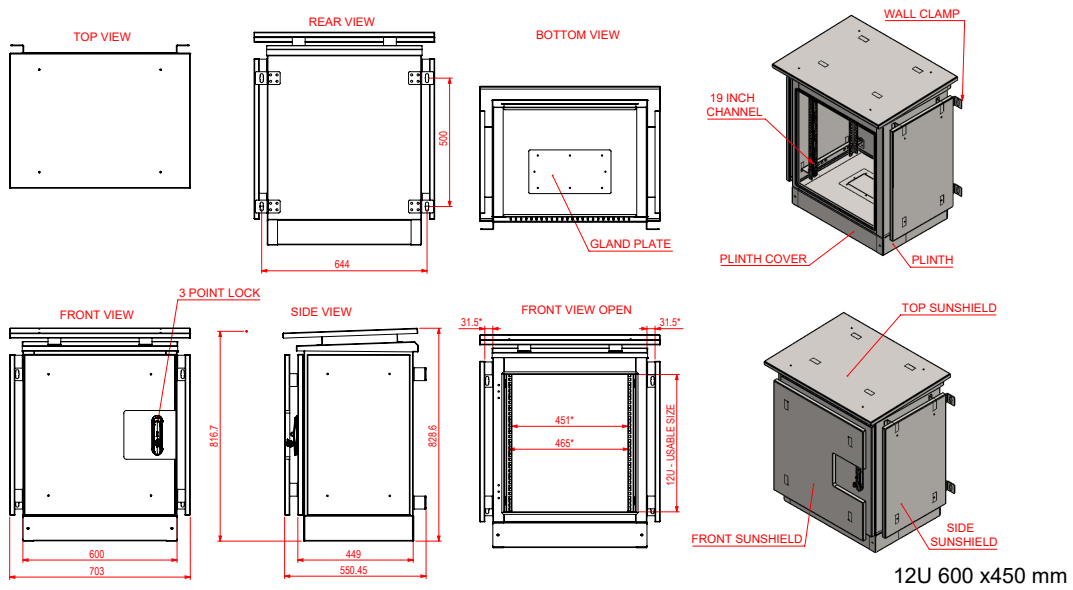
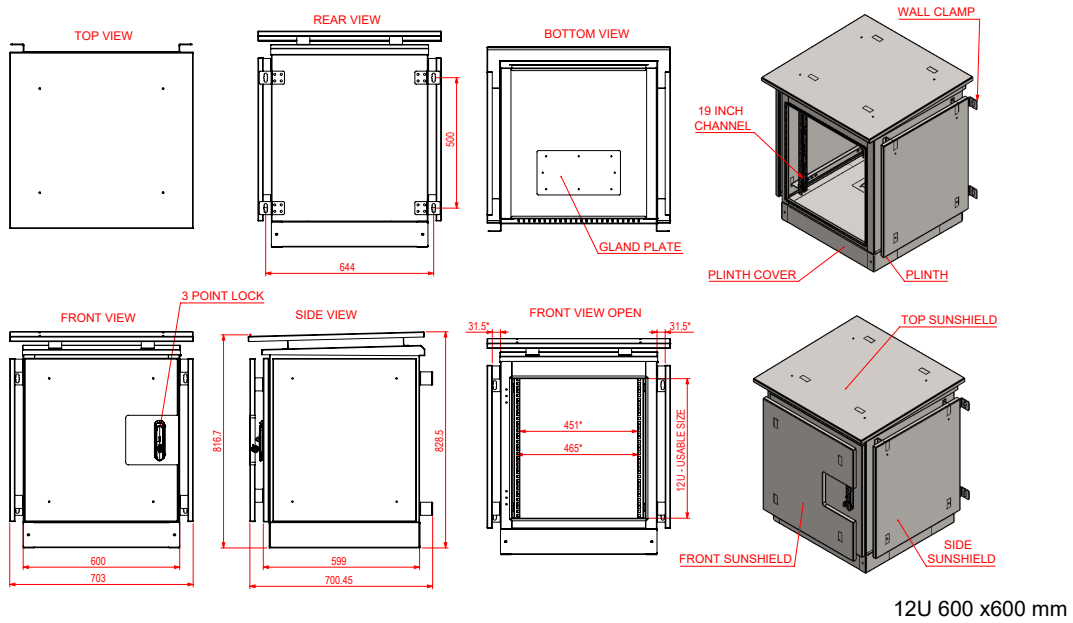
Mechanical Data

Specification	Value
Material	GI Sheet Metal 1.5mm Powder Coated
Dimension(W x H x D)	705 x 820 x 550 mm for 600x450mm Variant 705 x 820 x 700 mm for 600x600mm Variant
Loading Capacity	45 kg for 600x450mm Variant, 55 kg 600x600mm Variant
Finish	RAL 7035 STR

Outdoor Cabinet with Sunshield IP65/IP66



Technical Drawing



Ordering Information

Part Number	Description
CABODC12060666S	12RU Outdoor Cabinet with External Sunshields IP66 600x600mm Zinc Alloy Lock
CABODC12064566S	12RU Outdoor Cabinet with External Sunshields IP66 600x450mm Zinc Alloy Lock
CABODC12060665S	12RU Outdoor Cabinet with External Sunshields IP65 600x600mm Zinc Alloy Lock
CABODC12064565S	12RU Outdoor Cabinet with External Sunshields IP65 600x450mm Zinc Alloy Lock

ctm_r1_11092023